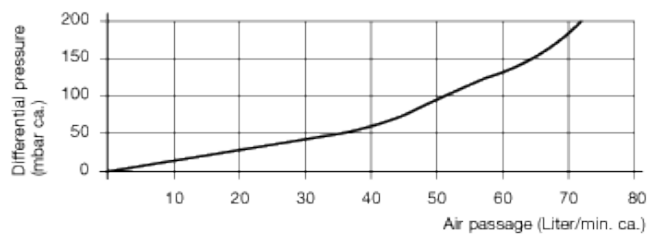
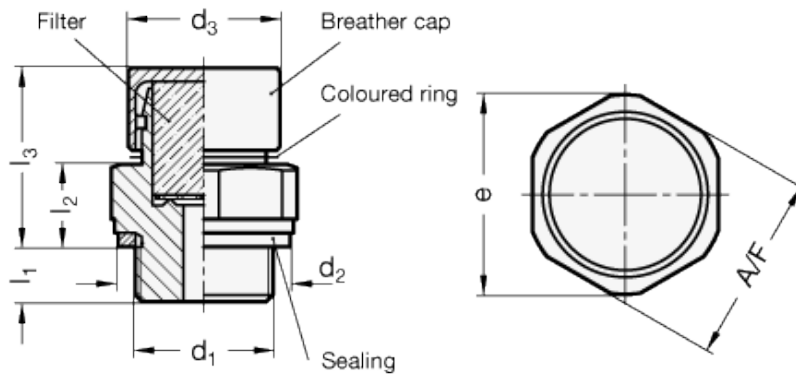


# GN 882

Breather filters



technical informations

## Material

Brass.

## Breather cap

Type M: AISI 304 Stainless steel.

## Air filter

- Wire mesh, AISI 304 stainless steel.
- Filter category G2-G3.

- Mean separation rate (Am approx. 65-85 %, based in a particle size > 10 µm).

### Spring

Stainless steel.

### Sealing DIN 7603 A

Soft iron 1.0338.

### Temperature resistance

From -30°C to +100°C.

### Accessories on request

- other materials.
- with dipstick.

### Features and applications

Breather filters GN 882 are used when the air exchange is to be allowed between the inside of the container and the ambient air. A blue colour ring marks the filter function.

The filter prevents air-borne particles (e.g. dust) from being carried from the outside to the inside of the container. It also ensures that e.g. oil particles do not escape to the outside.

The above diagram shows the air passage as a factor of the differential pressure.

Standard Elements	Main dimensions								Weight
Description	d <sub>1</sub>	d <sub>2</sub>	d <sub>3</sub>	e ≈	l <sub>1</sub>	l <sub>2</sub>	l <sub>3</sub>	A/F	g
GN 882-M12x1.5-MS-M	M12x1.5	18	20	23.5	8.5	11.5	24.5	22	40
GN 882-M14x1.5-MS-M	M14x1.5	20	20	23.5	8.5	11.5	24.5	22	44
GN 882-M16x1.5-MS-M	M16x1.5	22	20	23.5	8.5	11.5	24.5	22	49
GN 882-M18x1.5-MS-M	M18x1.5	24	20	23.5	8.5	11.5	24.5	22	53
GN 882-M20x1.5-MS-M	M20x1.5	26	20	29	8.5	11.5	24.5	27	75
GN 882-M22x1.5-MS-M	M22x1.5	27	20	29	8.5	11.5	24.5	27	79
GN 882-M24x1.5-MS-M	M24x1.5	29	20	32.5	8	12	25	30	97
GN 882-M26x1.5-MS-M	M26x1.5	32	20	34	8	12	25	32	113
GN 882-M30x1.5-MS-M	M30x1.5	36	20	39	8	12	25	36	148
GN 882-G1/4-MS-M	G1/4	20	20	23.5	7.5	10.5	24.5	22	42
GN 882-G3/8-MS-M	G3/8	23	20	23.5	8.5	11.5	24.5	22	49
GN 882-G1/2-MS-M	G1/2	26	20	29	8	12	25	27	75
GN 882-G3/4-MS-M	G3/4	32	20	34	8	12	25	32	113
GN 882-G1-MS-M	G1	39	20	44	8	12	25	41	186

